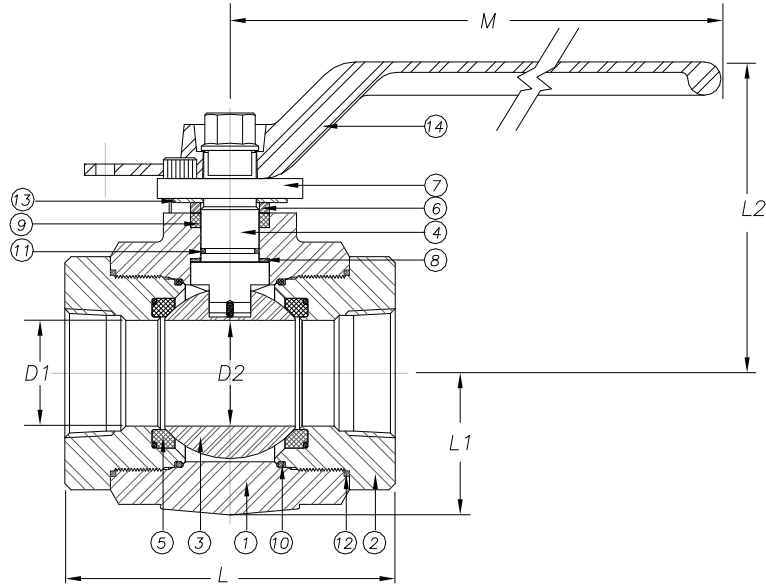


Enflow 3 Piece Threaded Body, E5 Series Ball Valve,

- 4000 WOG, ½” to 2”, NPT, NPT X SW, SW X SW (weld in line without taking valve apart)
- Designed and tested to ASME B16.34, API 598, API 607 and NACE MR0175 (2002)
- Standard Features: Locking Lever, Blowout Proof Stem, Antistatic and Mounting Pad.



MATERIALS OF CONSTRUCTION

ITEM	PART NAME	STANDARD/ NACE (2002)	LOW TEMPERATURE/ NACE (2002)	STAINLESS STEEL/ NACE (2002)
1	BODY	A105 /A216 WCB	A350 LF2 / A352 LCC	316 SS / A351 CF8M
2	CAP	A105 /A216 WCB	A350 LF2 / A352 LCC	316 SS / A351 CF8M
3	BALL	CF8M / 316 SS	CF8M / 316 SS	CF8M / 316 SS
4	STEM	A564 GR 630 17/4 PH	A564 GR 630 17/4	A564 GR 630 17/4 PH
5	SEAT (NPT) SEAT (SW)	DELRIN PEEK	DELRIN PEEK	DELRIN PEEK
6	PACKING RING	304SS	304SS	304SS
7	GLAND	CARBON STEEL	CARBON STEEL	CARBON STEEL
8	THRUST WASHER	PTFE	PTFE	PTFE
9	PACKING	GRAPHITE	GRAPHITE	GRAPHITE
10	O-RING	VITON	VITON	VITON
11	O-RING	VITON	VITON	VITON
12	GASKET	GRAPHITE	GRAPHITE	GRAPHITE
13	BELLEVILLE WASHER	302SS	302SS	302SS
14	LEVER	A216 WCB	A216 WCB	A351 CF8

* OTHER MATERIAL AVAILABLE UPON REQUEST

DIMENSIONS

SIZE	SIZE	L(NPT)	L (SW)	L(NPT-SW)	L1	L2	D1	D2	SW O.D.	M
½” FP	12.7	98	127	113	22	83	12.7	12.7	21.8	160
¾” FP	19	108	172	140	30	90	19	19	27.8	160
1” FP	25	108	172	152	34	94	25	25	48.8	200
1 ½” FP	38.1	159	217	188	50	122	38.1	38.1	33.9	250
2” FP	50	159	324	241	63	150	50	50	61.2	315
¾” RP	19	111	172	140	22	83	19	12.7	27.8	160
1” RP	25	108	172	140	30	90	25	19	48.8	160
1 ½” RP	38.1	159	217	188	34	94	38.1	25	33.9	200
2” RP	50	159	217	188	50	122	50	38.1	61.2	250