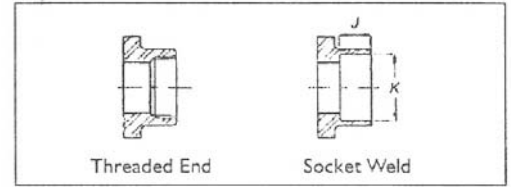
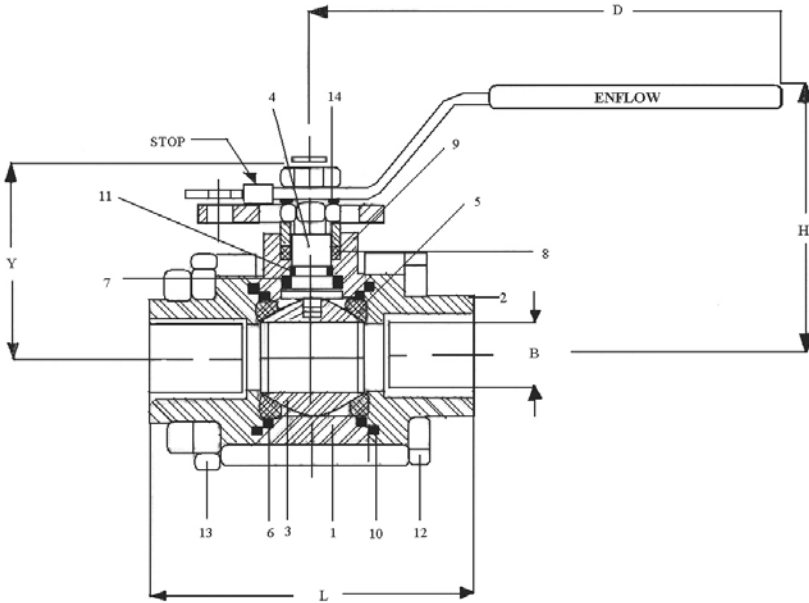


Enflow 3 Piece Bolted Body, Cast Carbon or Stainless Investment Cast Ball Valve

- 2000 WOG, FP OR RP, NPT OR SW



MATERIALS OF CONSTRUCTION			
ITEM NO.	PART NAME	STANDARD	STAINLESS STEEL
1	BODY	ASTM A216 WCB	ASTM A351 CF8M
2	ADAPTER	ASTM A216 WCB	ASTM A351 CF8M
3	BALL	A182 F316 SS	A182 F316 SS
4	STEM	A182 F316 SS	A182 F316 SS
5	SEAT	PTFE	PTFE
6	GASKET	PTFE	PTFE
7	STEM SEAL	PTFE	PTFE
8	PACKING	GRAPHITE	GRAPHITE
9	PACKING RING	STAINLESS STEEL	STAINLESS STEEL
10	GASKET	GRAPHITE	GRAPHITE
11	O-RING	VITON	VITON
12	BOLT	ASTM A193 B7	ASTM A193 B8
13	NUT	ASTM A194 2H	ASTM A194 8
14	LOCK WASHER	STAINLESS STEEL	STAINLESS STEEL

E3 SERIES

- FULL PORT OR REGULAR PORT
- NPT x NPT, SW x SW, SW x NPT
- THREE PIECE BODY
- BLOW OUT PROOF STEM
- LOCKING LEVER
- ADJUSTABLE PACKING
- NACE (2002) COMPLIANT
- TEST API 598

SIZE	TORQUE Max. Breakaway Torque (in. lbs.) CV VALUES: US GPM/1 PSI DROP			
	FULL PORT		REGULAR PORT	
	TORQUE	CV	TORQUE	CV
1/4"	35	8.0	35	8.0
3/8"	35	8.0	35	8.0
1/2"	60	21.0	35	8.0
3/4"	120	28.0	60	21.0
1"	180	45.5	110	28.0
1-1/4"	210	73.0	180	45.5
1-1/2"	240	102.0	210	73.0
2"	350	200.0	340	102.0

DIMENSIONS

SIZE	UNIT	FULL PORT							NET WT. KG.	REGULAR PORT							NET WT. KG.
		B	L	Y	H	D	K	J		B	L	Y	H	D	K	J	
1/4"	in.	0.39	2.48	1.49	2.36	5.05	0.56	0.44	0.08	0.39	2.48	1.49	2.36	5.05	0.55	0.44	0.80
8	mm	10	63	38	60	128	14.10	11.18		10	63	38	60	128	14.10	11.18	
3/8"	in.	0.39	2.48	1.49	2.36	5.08	0.69	0.44	0.80	0.39	2.48	1.49	2.36	5.05	0.69	0.44	0.80
10	mm	10	63	38	60	128	17.52	11.18		10	63	38	60	128	17.52	11.18	
1/2"	in.	0.50	2.52	1.89	2.67	5.25	0.85	0.44	0.90	0.50	2.52	1.89	2.67	4.96	0.85	0.44	0.90
15	mm	12.70	64	48	68	133	21.72	11.18		12.70	64	38	68	126	21.72	11.18	
3/4"	in.	0.75	3.74	2.36	3.15	5.47	1.06	0.56	1.80	0.50	2.75	1.81	2.56	4.96	1.06	0.56	1.00
20	mm	19.10	95	60	80	139	27.05	14.22		12.70	70	46	65	126	27.05	14.22	
1"	in.	1.00	4.00	2.67	3.35	5.51	1.33	0.72	2.10	0.75	3.74	2.36	3.15	5.82	1.33	0.72	2.00
25	mm	25.40	102	68	85	140	33.78	18.29		19	95	60	80.00	148	33.78	18.29	
1-1/2"	in.	1.50	5.07	4.09	4.33	7.48	1.91	0.72	4.50	1.26	4.52	3.31	3.78	7.48	1.91	0.72	3.80
40	mm	38.10	129	111	110	190	48.64	18.29		32	115	84	96	190	48.64	18.29	
2"	in.	2.00	5.51	4.09	4.92	7.87	2.40	0.84	6.50	1.50	4.92	3.58	4.33	7.48	2.40	0.84	4.90
50	mm	50.80	140	104	125	200	61.11	21.33		38.10	125	91	110	190	61.11	21.33	

Due to continuous development of our products, we reserve the right to modify our product design or construction without prior notice.

Head Office:
3740 E - 11A Street NE
Calgary, Alberta, Canada
T2E 6M6
Tel: (403) 266-4977
Fax: (403) 266-7334

Middle East Division:
P.O. Box 61123, Jebel Ali
Dubai, U.A.E.
Tel: +971 50 255 4412

EnflowTATI Production SDN BHD:
Lot 4847, Jalan Panchor, Teluk Kalong
24000, Kemaman, Terengganu Darul Iman
Malaysia
Tel: 609-8635388
Fax: 609-8635389