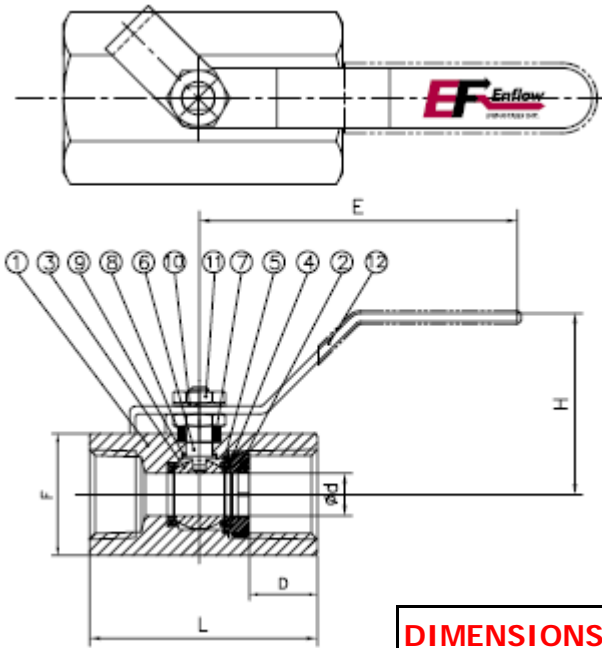


Enflow 1 Piece Forged Carbon Steel Hexagon Bar Stock.

- 2000 WOG, Reduced Bore and Lever Operated Ball Valves.



MATERIALS OF CONSTRUCTION		
1	BODY	CARBON STEEL
2	SEAT RETAINER	CARBON STEEL
3	BALL	SS316
4	SEAT	PTFE
5	GASKET	PTFE
6	STEM	SS316
7	GLAND	STAINLESS STEEL
8	PACKING	PTFE
9	THRUST WASHER	PTFE
10	SPRING WASHER	STAINLESS STEEL
11	NUT	CARBON STEEL
12	HANDLE	CARBON STEEL

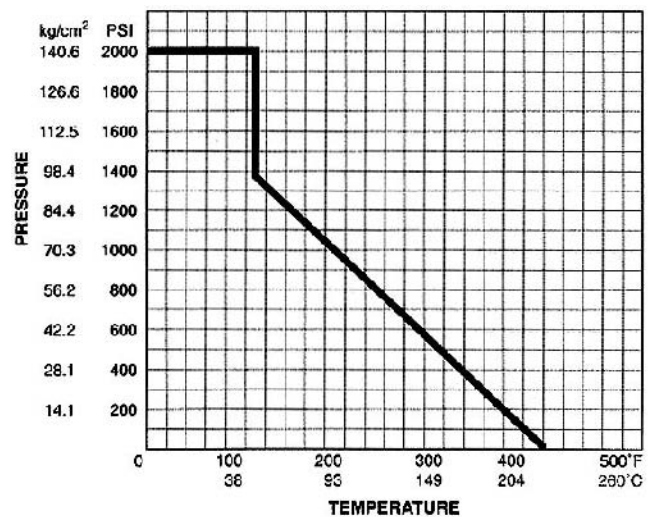
DIMENSIONS								
SIZE	1/4"	3/8"	1/2"	3/4"	1"	1-1/4"	1-1/2"	2"
∅d	5	7	9.2	12.5	16	20	24.5	32
L	43.2	47.2	62.5	69.9	85.9	93.7	101.6	114.3
E	66.7	66.7	118	118	120	146	146	152
H	31.8	33.9	55.5	59	65.4	74	78.7	120
D	12	12.2	17.4	22.3	25.5	27.8	29.6	29.4
F	21	25.4	30	36	46	55	61	75

E1 SERIES

2000 PSI 1/4" to 2"

- REDUCED PORT
- NPT X NPT
- ONE PIECE BODY
- BLOW OUT PROOF STEM
- ADJUSTABLE PACKING
- NACE (2002) COMPLIANT
- TEST API 598

VALVE SEAT PRESSURE - TEMPERATURE RATING



Due to continuous development of our products, we reserve the right to modify our product design or construction without prior notice.

Head Office:
3740 E - 11A Street NE
Calgary, Alberta, Canada
T2E 6M6
Tel: (403) 266-4977
Fax: (403) 266-7334

Middle East Division:
P.O. Box 61123, Jebel Ali
Dubai, U.A.E.
Tel: +971 50 255 4412

EnflowTATI Production SDN BHD:
Lot 4847, Jalan Panchor, Teluk Kalong
24000, Kemaman, Terengganu Darul Iman
Malaysia
Tel: 609-8635388
Fax: 609-8635389